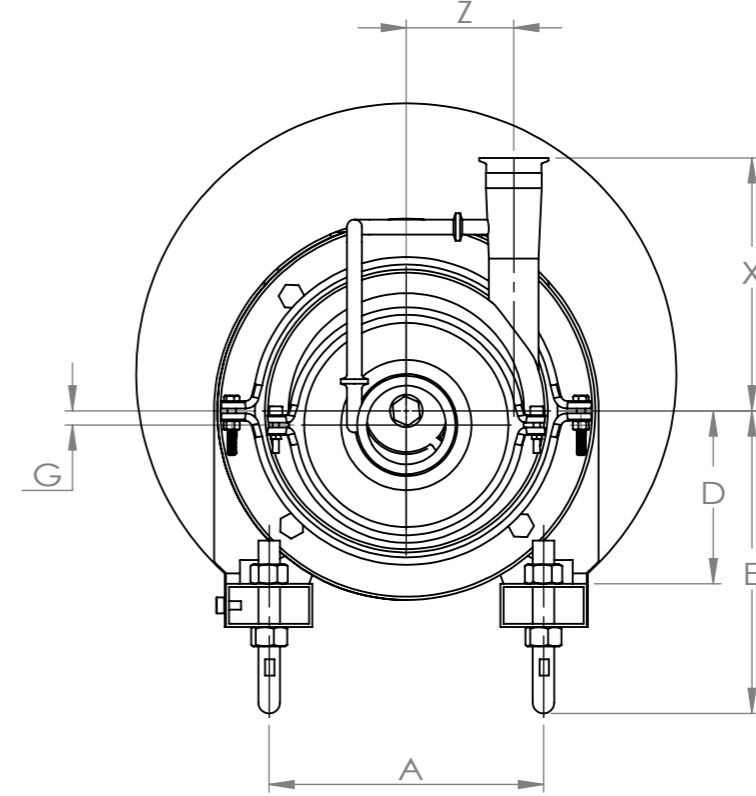
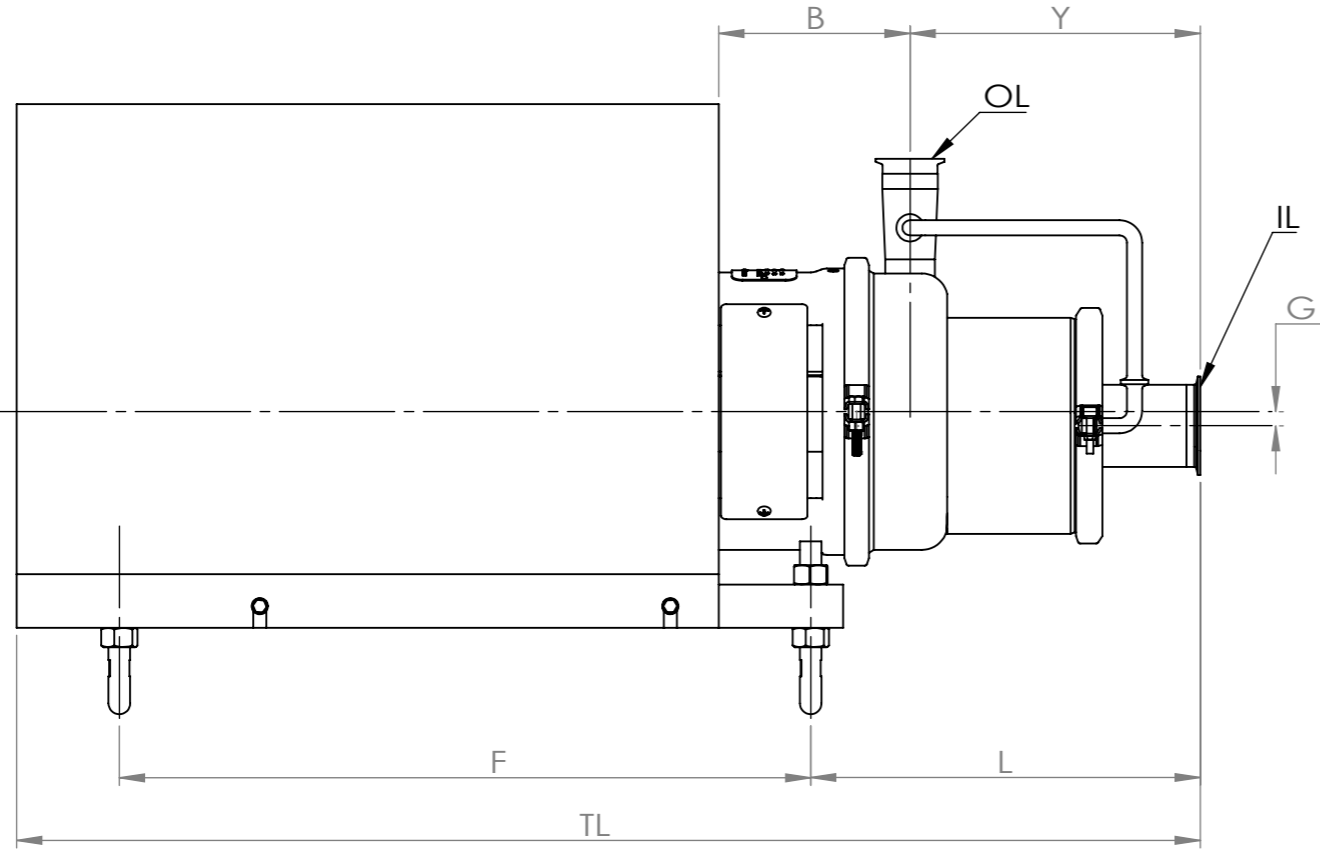




PRODUCT DIMENSIONS

HS+ Series



PUMP	MOTOR FRAME-2Poles	B	G	OL	IL	Y	F	L	Z	X	D	A	E	TL
HS+20-15	80 (1.1kW)	145	8	2"	2.5"	185	320	295.5	65.5	229.2	80	125	193±20	640
HS+20-15	90S/L (1.5/2.2kW)	145	8	2"	2.5"	185	320	295.5	65.5	229.2	90	140	203±20	660
HS+30-30	100L (3kW)	132.7	10	2"	2.5"	185	380	291.6	82.6	242	100	160	213±20	715
HS+30-30	112M (4kW)	132.7	10	2"	2.5"	185	380	291.6	82.6	242	112	190	205±20	715
HS+30-30	132S/M (5.5/7.5/9.2kW)	132.7	10	2"	2.5"	185	420	291.6	82.6	242	132	216	225±20	800
HS+44-50	160M/L (11/15/18.5kW)	176.9	13	2"	3"	268.5	640	360.5	99.5	234.2	160	254	280±30	1095

REMARKS: ALL DIMENSIONS ARE IN *Millimeter*, UNLESS OTHERWISE SPECIFIED.